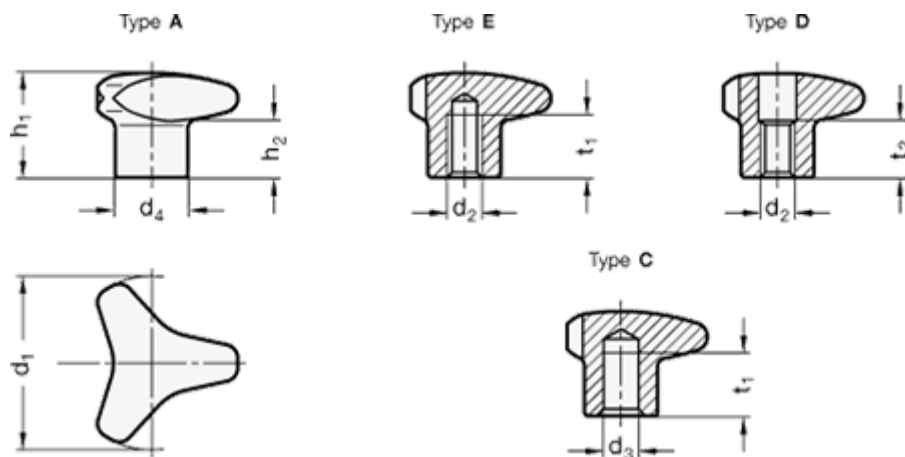


Article number: 20534540M8D

Description: E+G Three-star knobs - GN 5345-40-M8-D

Measures



d1 = 40

d2 = M8

d3 H7 = -

d4 = -

h1 = 26

h2 = 15

t1 min. = -

t2 = 13

Weight (g) = 70